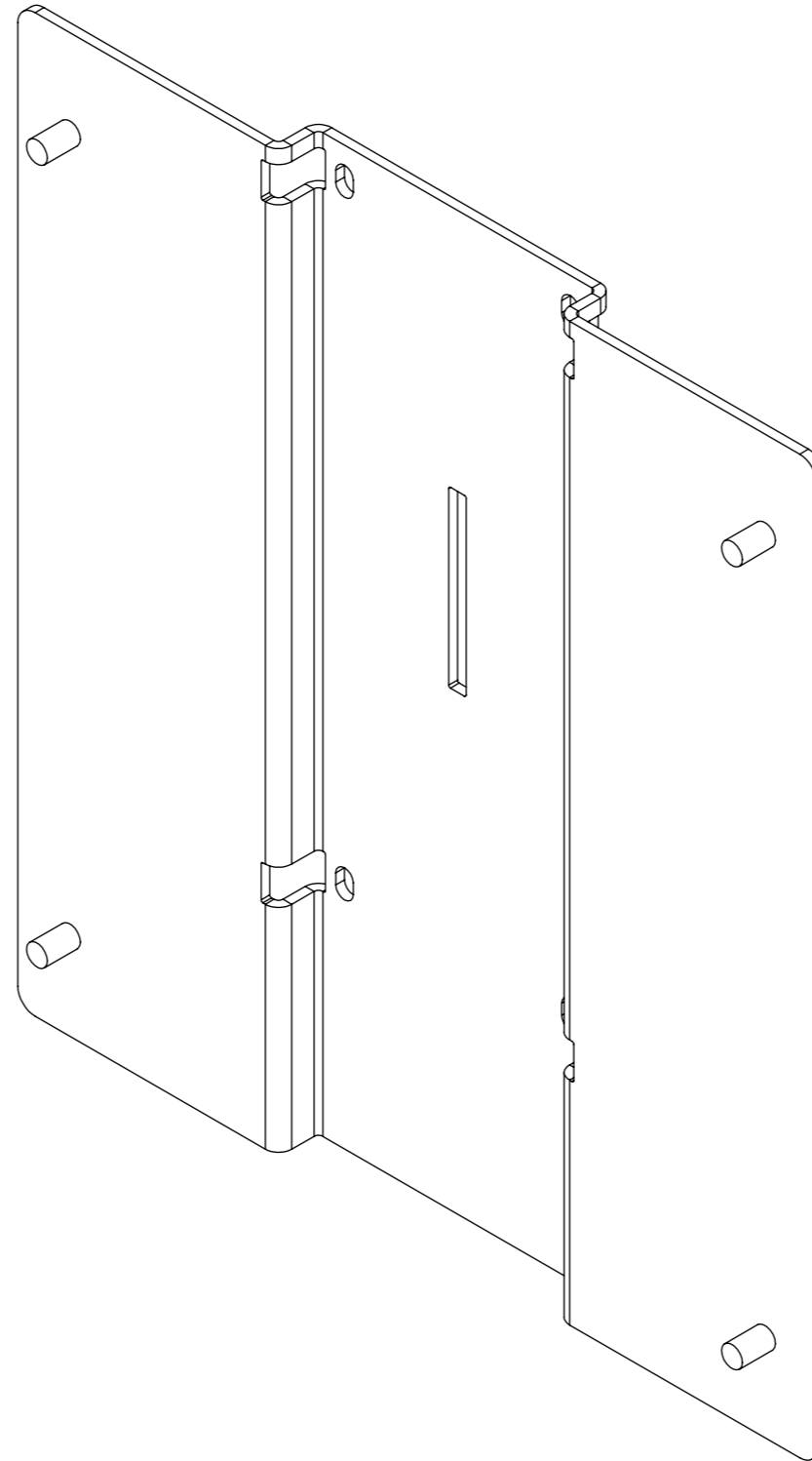


AP-LOEWE BILD7

ADAPTER PLATE FOR LOEWE BILD7



future automation



AP-LOEWE BILD7

ADAPTER PLATE FOR LOEWE BILD7



future automation

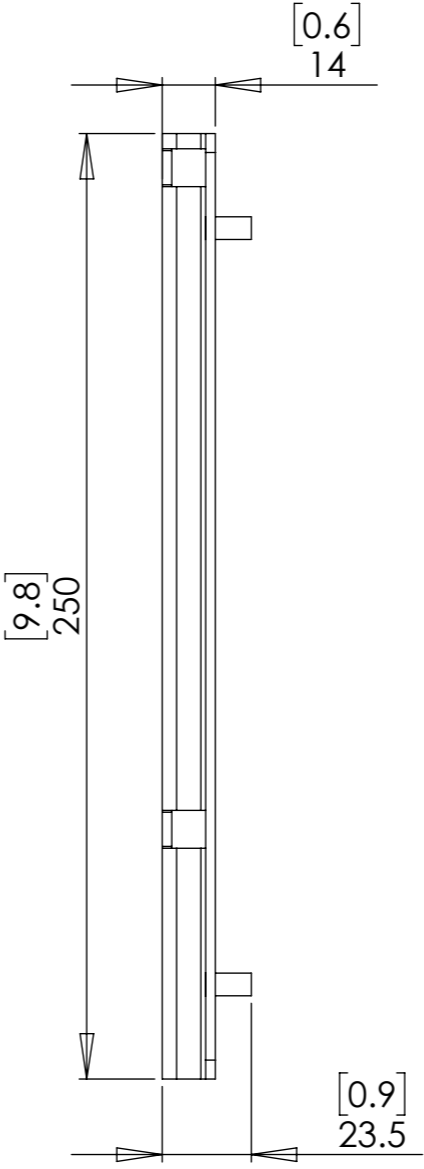
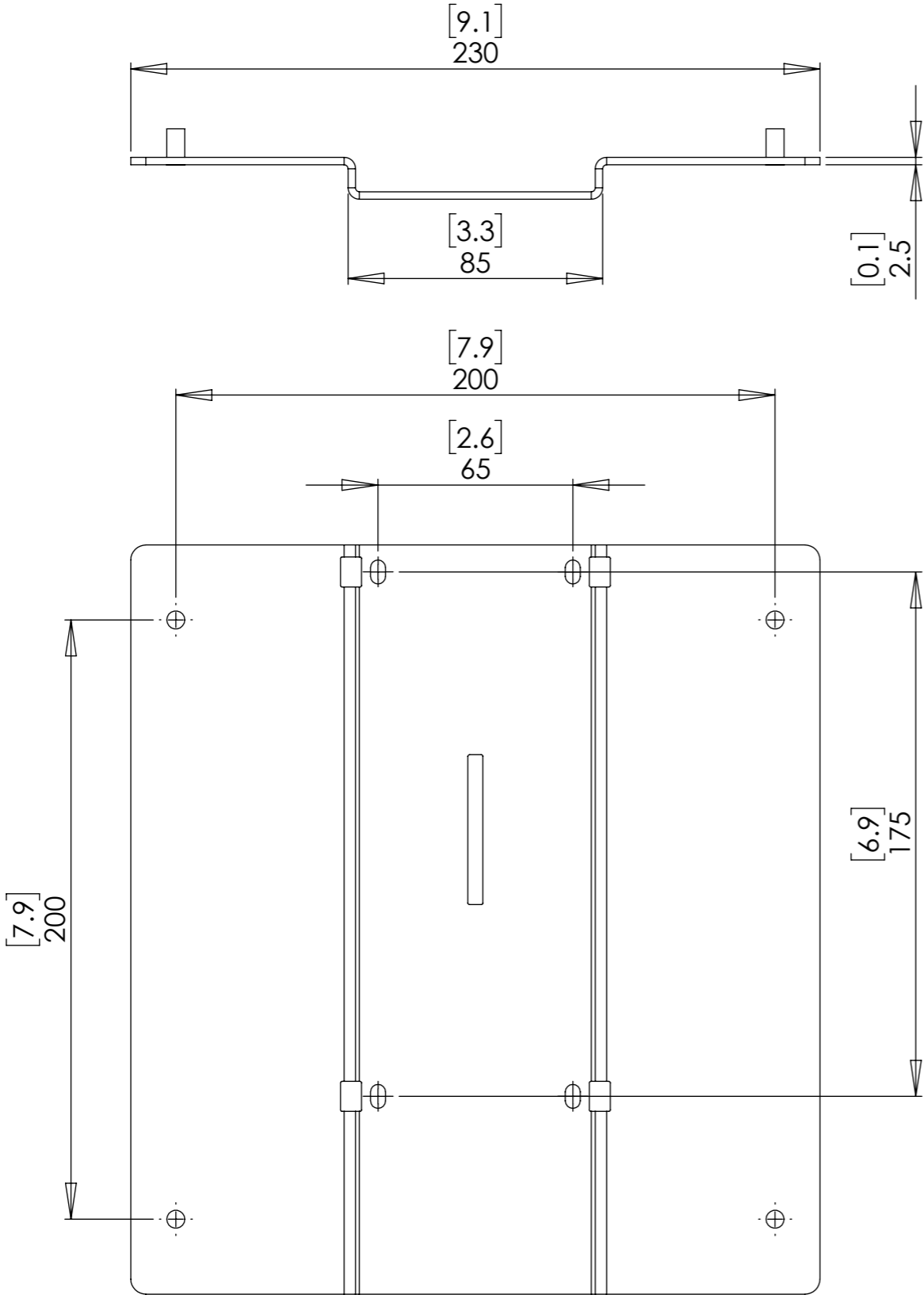
SPECIFICATION	MEASUREMENTS
Product Dimensions WxHxD	230mm (9.1") x 250mm (9.8") x 23.5mm (0.9")
Suitable Loewe Bild Screen Sizes	Bild 7.55, Bild 7.65
Product Weight	1.2Kg (2.6lb)
Mounting Patterns Supported	VESA 200
Product Options / Features	Specific Loewe Bild 7 screens, Custom RAL paint finishes
Package Contents	Mechanism
Marine Suitable	Yes (Indoors)

AP-LOEWE BILD7

ADAPTER PLATE FOR LOEWE BILD7



PLATE DIMENSIONS



SHOWN WITH REPRESENTATIVE BILD 7.65 SCREEN

